

640 SERIES BACKER ROD INSERTION TOOLS

Bulletin 408

The Best Just Keeps Gettin' Better!®

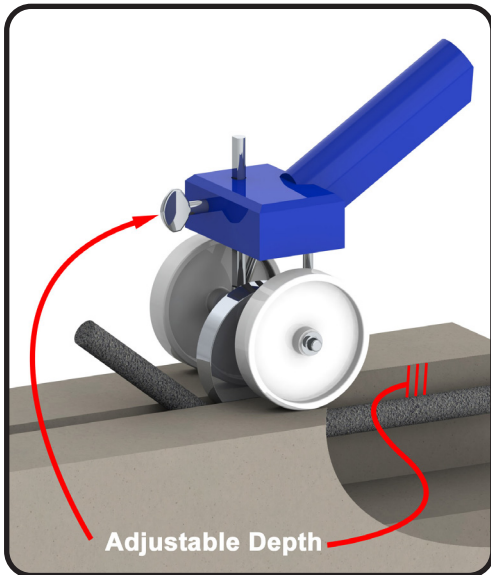
✓Bulk

✓Sausage

✓Cartridge

✓Multi-Component

✓Accessories



Quickly Set Backer Rod with Albion Insertion Tools

- Sets foam backer rod in caulk joints at a consistent depth and without puncturing.
- Fully adjustable to place backer rod up to 1" deep.
- Includes 4 insertion wheels: 640-G02 = 1/8", 640-G03 = 1/4", 640-G04 = 3/8", 640-G05 = 1/2" and 640-G18 tamping blade.
- Accepts standard painter's extension pole or broom handle (876-1 or 876-2).
- For 2" deep saw joints use the 640-G20 aluminum insertion wheel.
- Additional models available see next page.

640-5 Standard Model Kit

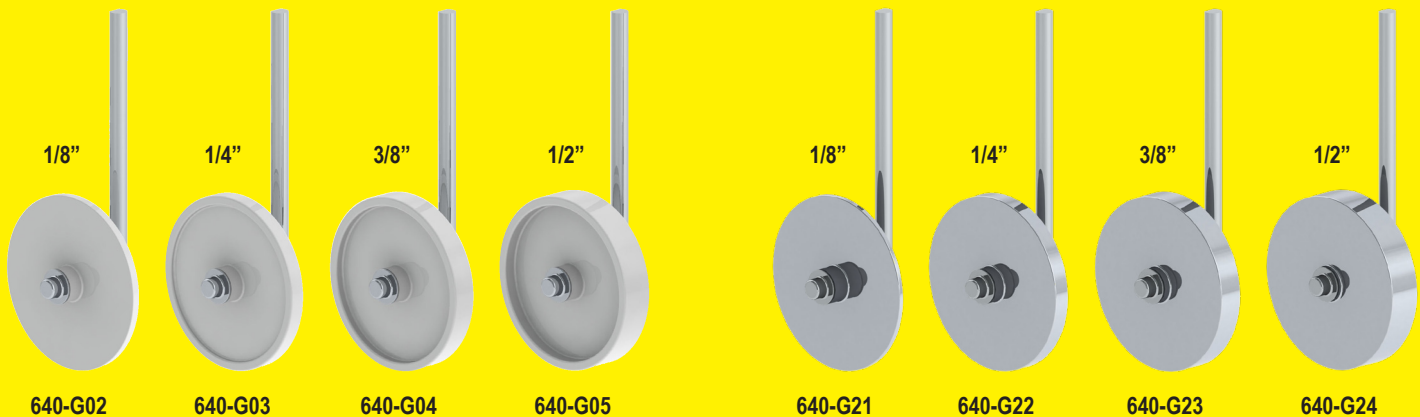


STANDARD PLASTIC INSERTION WHEELS

- *For use on sensitive substrates like glass, aluminum or EIFS.
- To be used with 640-4 and 640-5 insertion tool, does not fit model 640-6.

NEW! ALUMINUM INSERTION WHEELS

- *For use on rough masonry and concrete surfaces.
- To be used with 640-4 and 640-5 insertion tool, does not fit model 640-6.



1250 N Church St., Moorestown, NJ 08057 | 856.235.6688 | Service@albioneng.com | www.albioneng.com

202009

640 SERIES BACKER ROD INSERTION TOOLS

Bulletin 408

The Best Just Keeps Gettin' Better!®

✓Bulk

✓Sausage

✓Cartridge

✓Multi-Component

✓Accessories



640-4 ROAD MODEL KIT

- Epoxy filled reinforced handle to withstand rough surfaces.
- Sets foam backer rod in caulk joints at a consistent depth and without puncturing.
- Fully adjustable to place backer rod up to 1" deep.
- Includes 4 insertion wheels: 640-G02 = 1/8", 640-G03 = 1/4", 640-G04 = 3/8", 640-G05 = 1/2"
- Accepts standard painter's extension pole or broom handle (876-1 or 876-2).



640-6 CORNER MODEL KIT

- Places foam backer rods in corner/perimeter caulk joints.
- Includes 4 offset insertion wheels: 640-G06 = 1/8", 640-G07 = 1/4", 640-G08 = 3/8", 640-G09 = 1/2"
- Same great features as the 640-5.

* 640-3 COMBO KIT ALSO AVAILABLE.

Includes both Standard model 640-5 and Corner Model 640-6.

For instructions on how to use this tool scan QR code.

SUBSCRIBE TO OUR
YouTube
CHANNEL



For installing hundreds of linear feet consider using the Rover Backer Rod Installer (1051-1)



For more information on our products and services visit www.albioneng.com or call 856.235.6688 to request the latest issue of our "Handbook & Catalog 333".



1250 N Church St., Moorestown, NJ 08057 | 856.235.6688 | Service@albioneng.com | www.albioneng.com

202009