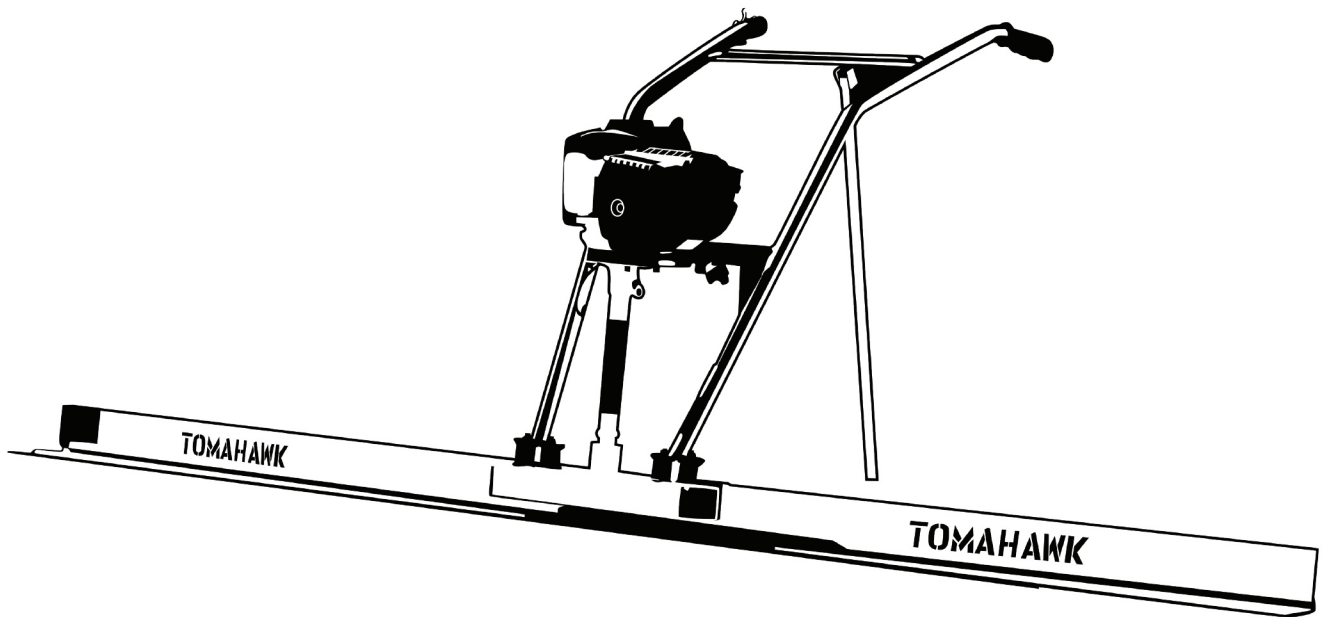


TOMAHAWK

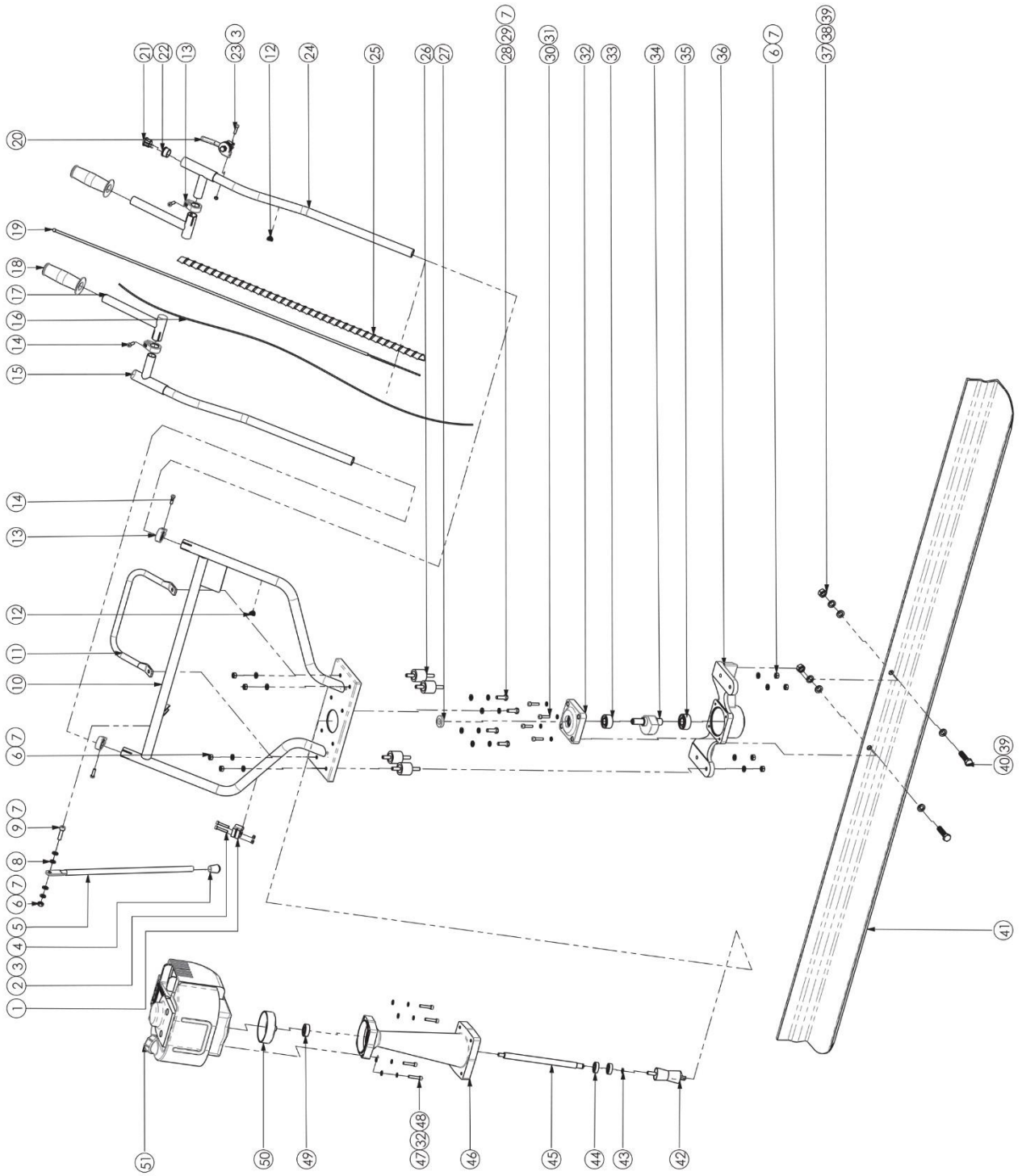
TVSA-H
POWER SCREED

Parts Manual



POWERED by
HONDA™

Explosion Diagram TVSA-H



S/NO	DESCRIPTION	QTY
1	STAND HOLDER	1
2	BOLT M5X30	2
3	LOCK NUT M5	3
4	STAND RUBBER	1
5	STAND	1
6	LOCK NUT M8	9
7	WASHER M8	14
8	PACKING	2
9	BOLT M8X25	2
10	HANDLE LONG	1
11	ENGINE FRAME	1
12	TIE RAP	2
13	HANDLE CLIP	4
14	BOLT M6X20	4
15	HANDLE GRIP (RIGHT)	1
16	SWITCH CABLE	1
17	HANDLE SLIP	2
18	GRIP	2
19	THROTTLE CABLE	1
20	THROTTLE LEVER ASSY	1
21	SWITCH	1
22	SWITCH BRACKET	1
23	BOLT M5X20	1
24	HANDLE GRIP (LEFT)	1
25	THROTTLE CABLE GUIDE PIPE	1
26	VIBRO MOUNT	4
27	OIL SEAL 15X30X7	1
28	BOLT M8X30	4
29	SPRING WASHER M8	4
30	SOCKET HEAD BOLT M6X25	4
31	SPRING WASHER M6	8
32	VIBRATION COVER	1
33	BEARING 5202 2RS	1
34	COUNTER WEIGHT	1
35	BEARING 6203 2RS	1
36	HOUSING WEIGHT	1
37	LOCK NUT M12	2
38	SPRING WASHER M12	2
39	WASHER M12	4
40	SOCKET HEAD BOLT M12X45	2
41	ULTRA FLAT PLATE	1
42	DRIVE AXLE	1
43	CLIP Φ 12	1
44	BEARING 6001ZZ	2
45	DRIVE SHAFT	1
46	HOUSING SHAFT	1
47	SOCKET HEAD BOLT M6X35	4
48	WASHER M6	4
49	BEARING 6201ZZ	1
50	CLUTCH DRUM	1
51	ENGINE	1

TOMAHAWK

www.tomahawk-power.com

Customer Service

(866) 577-4476

sales@tomahawk-power.com

San Diego, California USA

© Tomahawk Power, LLC. All rights reserved. Tomahawk Power logos are registered trademarks, or trademarks, of Tomahawk Power, LLC. in the U.S. and/or other countries.